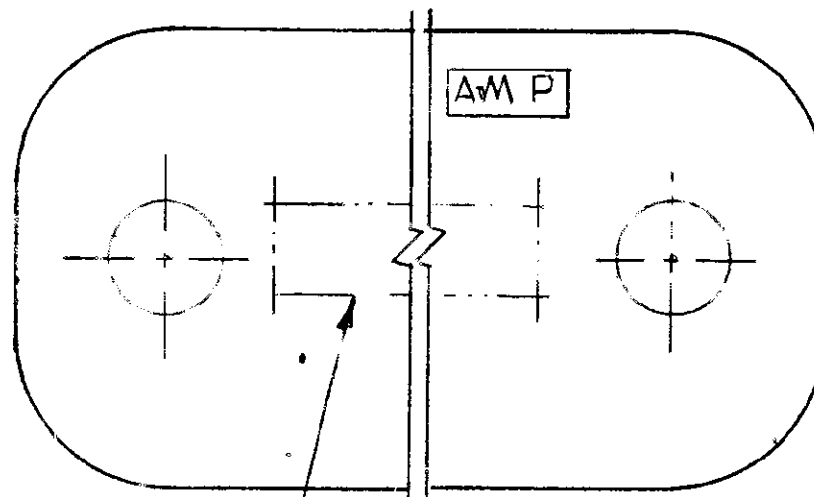
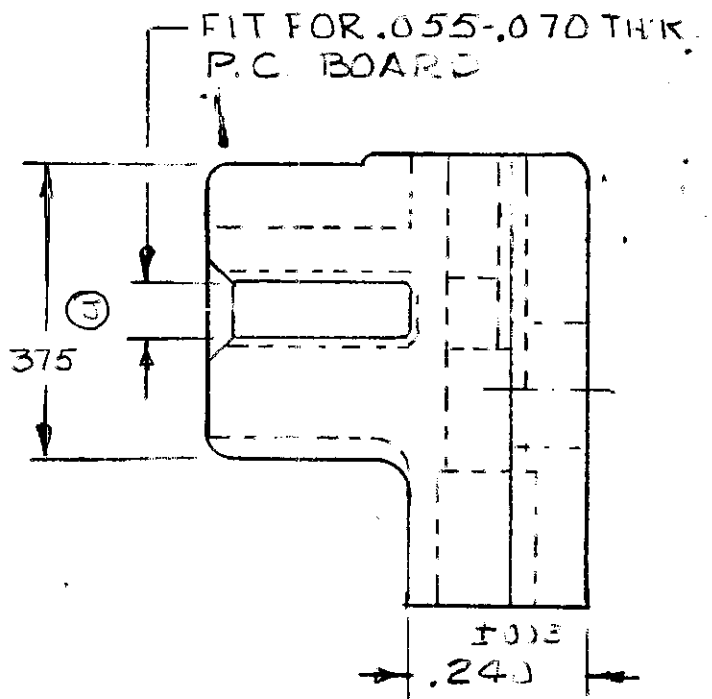
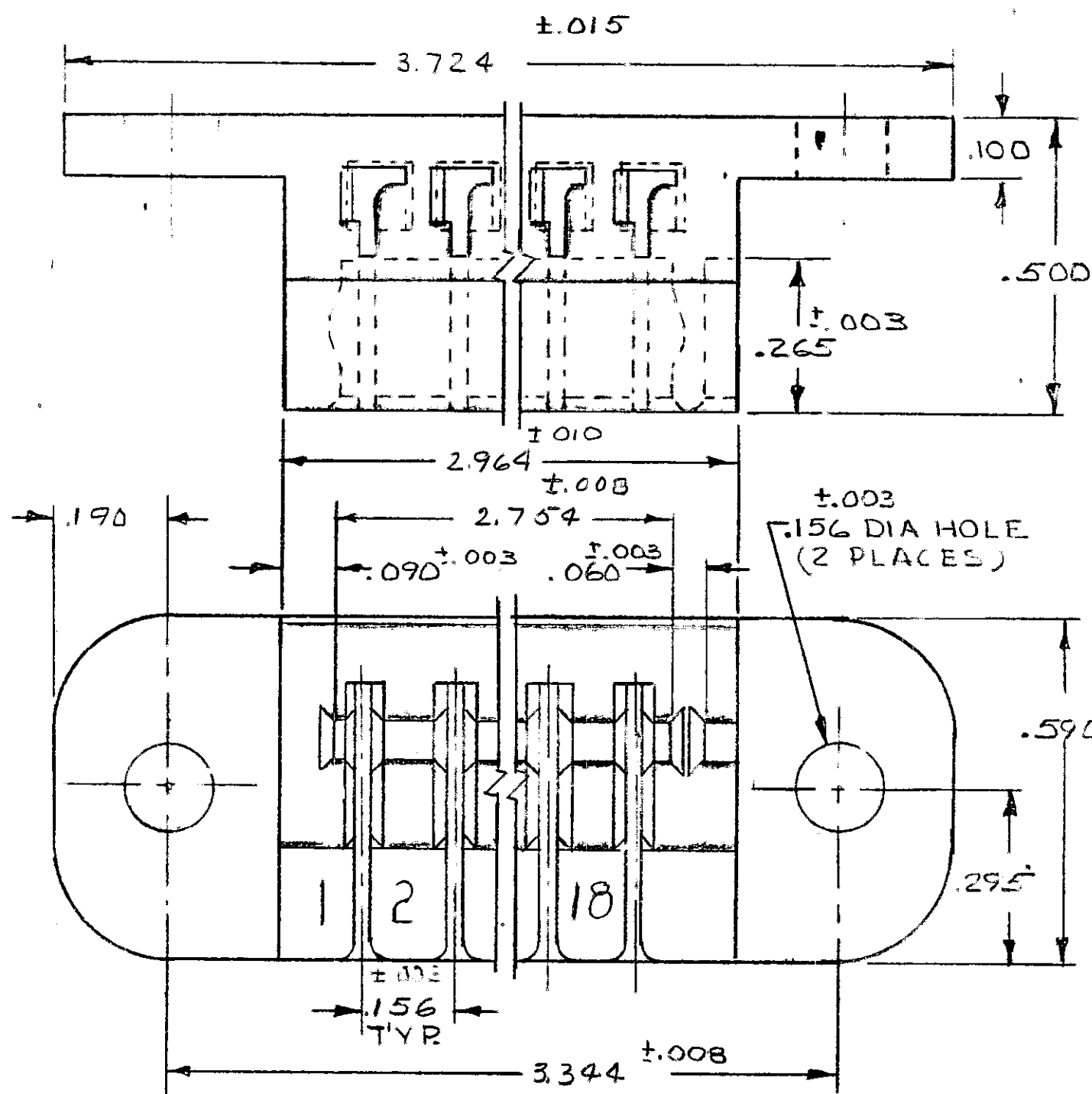


REVISIONS					
ZONE	LTR	DESCRIPTION	DATE	APPROVED	
	H1	REDRAWN WITHOUT CHANGE	338A DR 2-8-72	SH	
	J	REVISED	3535 MS 6-8-72	LH	
	T1	OBS - 0	AD10 97 20	RL	
	K	REV PER AD 1746		8-24-67	CBW
	L	REV / AD 1840 OBS -1		TH 3-8-68	HLR
	M	REV PER 0010-1143-95		11-9-71	PL
	N	REV PER EC 0G3C-233-01		08OCT01	MM

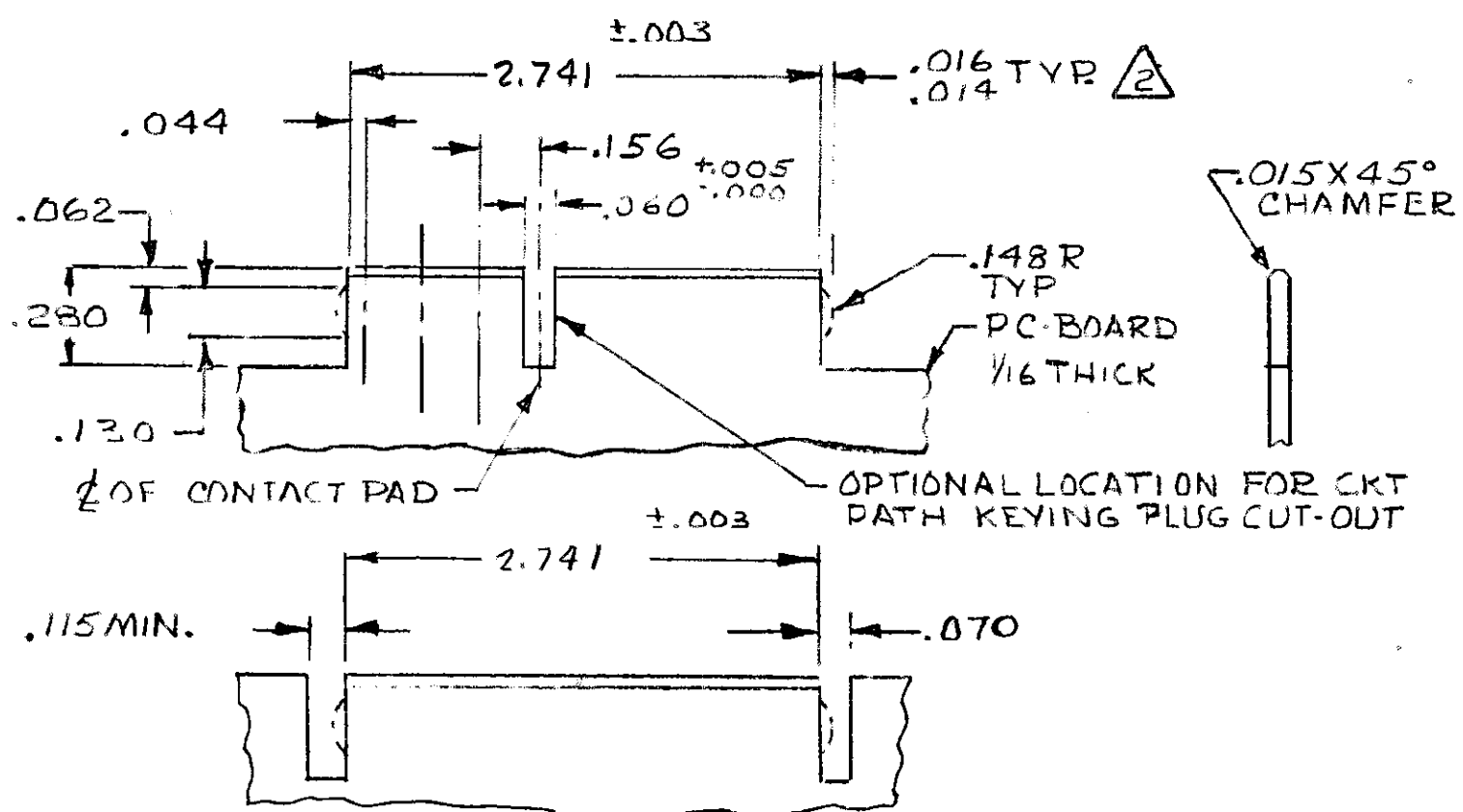
PART N <sup>o</sup> .	COLOR.
582387-1	BROWN
582387-2	RED
582387-3	ORANGE
582387-4	YELLOW
582387-5	GREEN
582387-6	BLUE
582387-7	VIOLET
582387-8	GRAY
582387-9	NATURAL
582387-0	BLACK

OBSOLETE

OBSOLETE



PART N<sup>o</sup> & DATE CODE MARKED OR MOLDED IN THIS AREA, DATE CODE (OPTIONAL)



OPTIONAL CUT-OUTS.

1. REFER TO 60215 & 533284 FOR TERMINAL.
2. THE RETAINING DIMPLES ARE OPTIONAL IN BOTH CUT-OUTS.
3. CARD SLOT AND MOUNTING HOLE DIMENSIONS TO BE CHECKED WITH HOUSING RESTRAINED. (AS MOUNTED)

UNLESS OTHERWISE SPECIFIED, DIMENSIONS ARE IN INCHES TOLERANCES ON: DECIMALS: .005 ANGLES:	CONTRACT NO.	AMP INCORPORATED HARRISBURG, PENNSYLVANIA
	DR <i>W. White</i> 2-8-72	
MATERIAL  NYLON	CHK <i>S. White</i> 2-21-72	NAME HOUSING, DUS-TYNE FLAG, WITH MOUNTING HOLES, 18 POSITION
	APPD <i>W. Bushey</i> 2-22-72	
	REL <i>R. Spurgeon</i> 2-22-72	SIZE C
	DSGN APPD	CODE IDENT NO. 00779
	OTHER APPD	NUMBER 582387
		SCALE 4-1
		SHEET 1 OF 1

NUMBER 582387